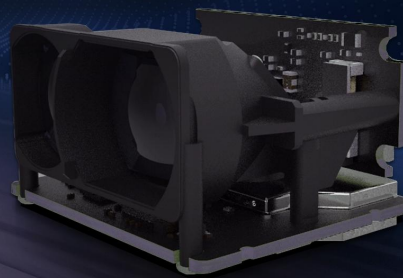


Benewake TFA170-L

Datasheet



TFA170-L is a long-range single-point LiDAR of Benewake. Multiple built-in operating modes let customers to change its parameters and configuration to meet different applications.

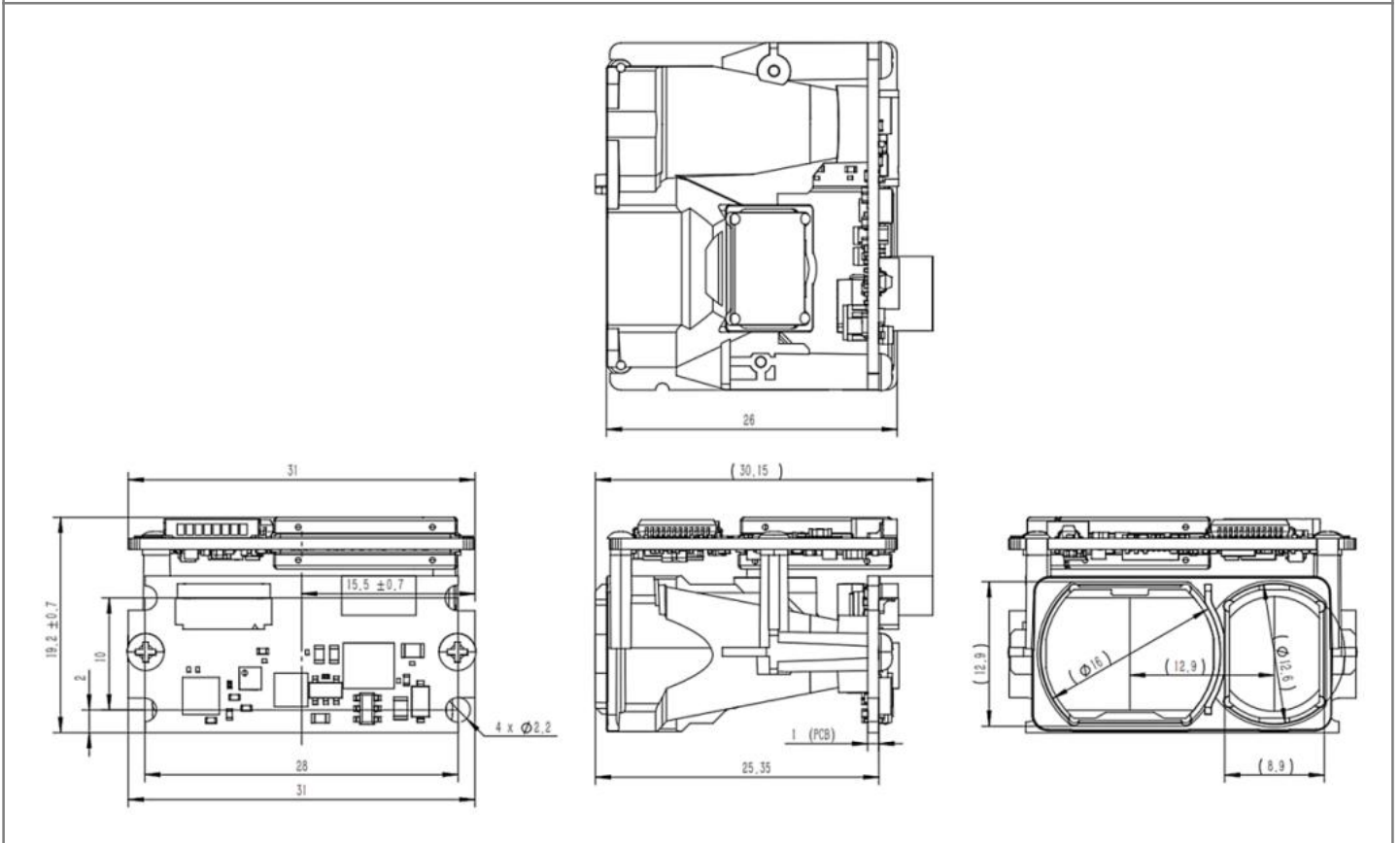
Technical Specifications

Performance Parameter	
Detection range ^①	0.1-170m@90% reflectivity 0.1-70m@10% reflectivity
Accuracy ^②	±10cm(<10m), 1%(≥10m)
Distance resolution	1cm
Default frame rate ^③	50Hz
Ambient light resistance	100KLux
Laser Parameters	
Light source	EEL
Central wavelength	905nm
FoV	<0.5°
Eye safety	Class 1 Eye-safe [EN60825]
Mechanical/Electrical	
Average power consumption	≤1W
Peak current ^④	120mA@12V
Power supply	DC 12±10%V
Operating temperature	-20°C ~ +60°C
Storage temperature	-20°C ~ +80°C
Dimensions	TYP. 31.0 x 30.2 x 19.2mm ³
Weight	~10g
Connector	1.25mm-4P
Protection Level	N/A

Communication Protocol

Communication Interface	Default: RS-232, please contact Benewake support team if other interfaces are required
Baud rate	115200
Data bit	8
Stop bit	1
Parity	None

Dimensions (Unit: mm)



Notes to the specifications:

- ① The range is based on 25°C, 85KLux condition, and any changes in environmental conditions may cause changes in the measurement results.
- ② The accuracy is based on 25°C indoors and 90% reflectivity condition, and any changes in environmental conditions may cause changes in the measurement results.
- ③ The frame rate will be between 1Hz and 1000Hz. 50Hz is the default frame rate. The default frame rate can be customized within the range.
- ④ The peak current is measured at room temperature.

Declaration: The copyright of this specification belongs to © Benewake (Beijing) Co., Ltd. is not allowed to copy, modify, delete or translate the content of this specification without written permission from Benewake. Our product is constantly improving and updating, so the specifications of TFA170-L product may change. Please refer to the latest version released by Benewake.